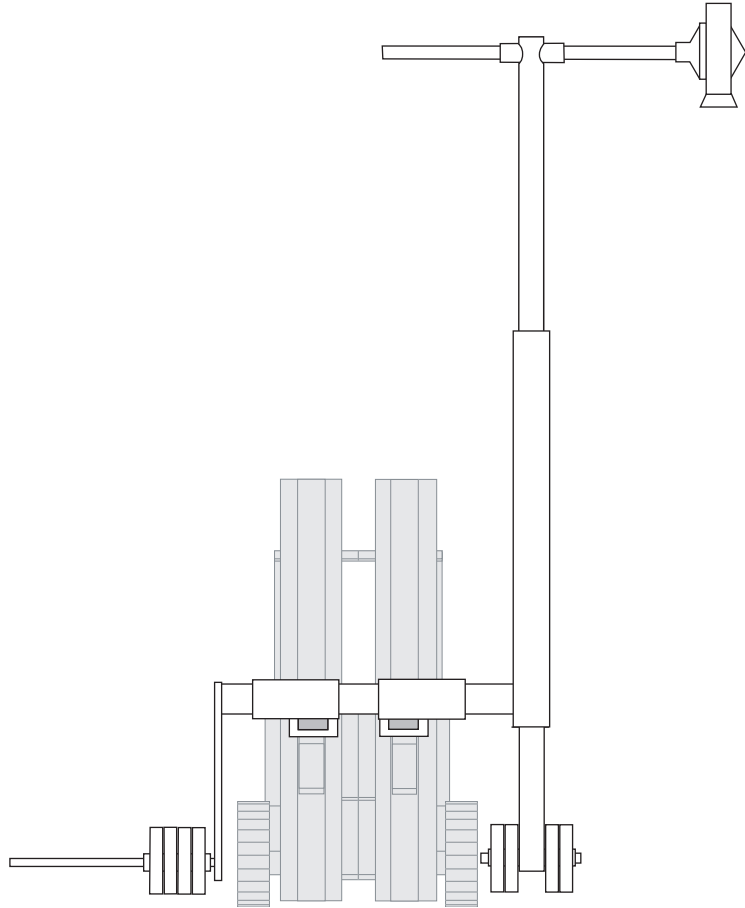


# AROUND THE WORLD RIG

## Engine Room



### Arc Radius Length

Minimum	8'
Maximum	16'

### Weight

Arm	Approx. 450 lbs.
Max. Camera Equipment	100 lbs.

## !! Caution !!

Some weights listed are an approximation. Different cameras, heads, and accessories will alter payload weight, counter-weight, and consequently total weight.

## Features

- Highly experienced technician.
- Fork-lift mount for easy rig positioning.
- Remote head operable.
- Will design and manufacture custom adapters and rigging.
- Excellent to use as base for swinging lighting rigs.
- Low cost 3D CGI pre-visualization available.

---

## Engine Room

655 N. La Peer Dr. • West Hollywood • CA • 90069  
[www.aroundtheworldrig.com](http://www.aroundtheworldrig.com)

Phone:  
(310) 860-9100

Fax:  
(310) 860-9111

Hours of Operation:  
8:30 am-5pm Mon.-Fri.  
By Appt. Sat. 24 hr. O/C

Pick-Up and Delivery Available

# AROUND THE WORLD RIG

# RADIAL CRANE ARM

## Arm Pieces

Single telescoping arm

## Arc Radius

Minimum 8' (96")

Maximum 16' (192")

## Camera Mount

Standard Mitchell mount

Unit includes fixed mount

Supports some remote heads\*

## Weights

12 Large @ 45 lbs.

6 Medium @ 25 lbs.

10 Small @ 5 & 10 lbs.

## Case #1

Length 8' 4 1/8" (100 1/8")

Width 2' (24")

Height 2' 6 3/8" (30 3/8")

Weight Approx. 400 lbs.

## Case #2

Length 6' 6 1/4" (78 1/4")

Width 2' 1/4" (24 1/4")

Height 2' 10 3/8" (34 3/8")

Weight Approx. 500 lbs.

## Set-Up Time

Approx. 30 min. w/ two people

## Technician Required

Yes  No

## Rig Support

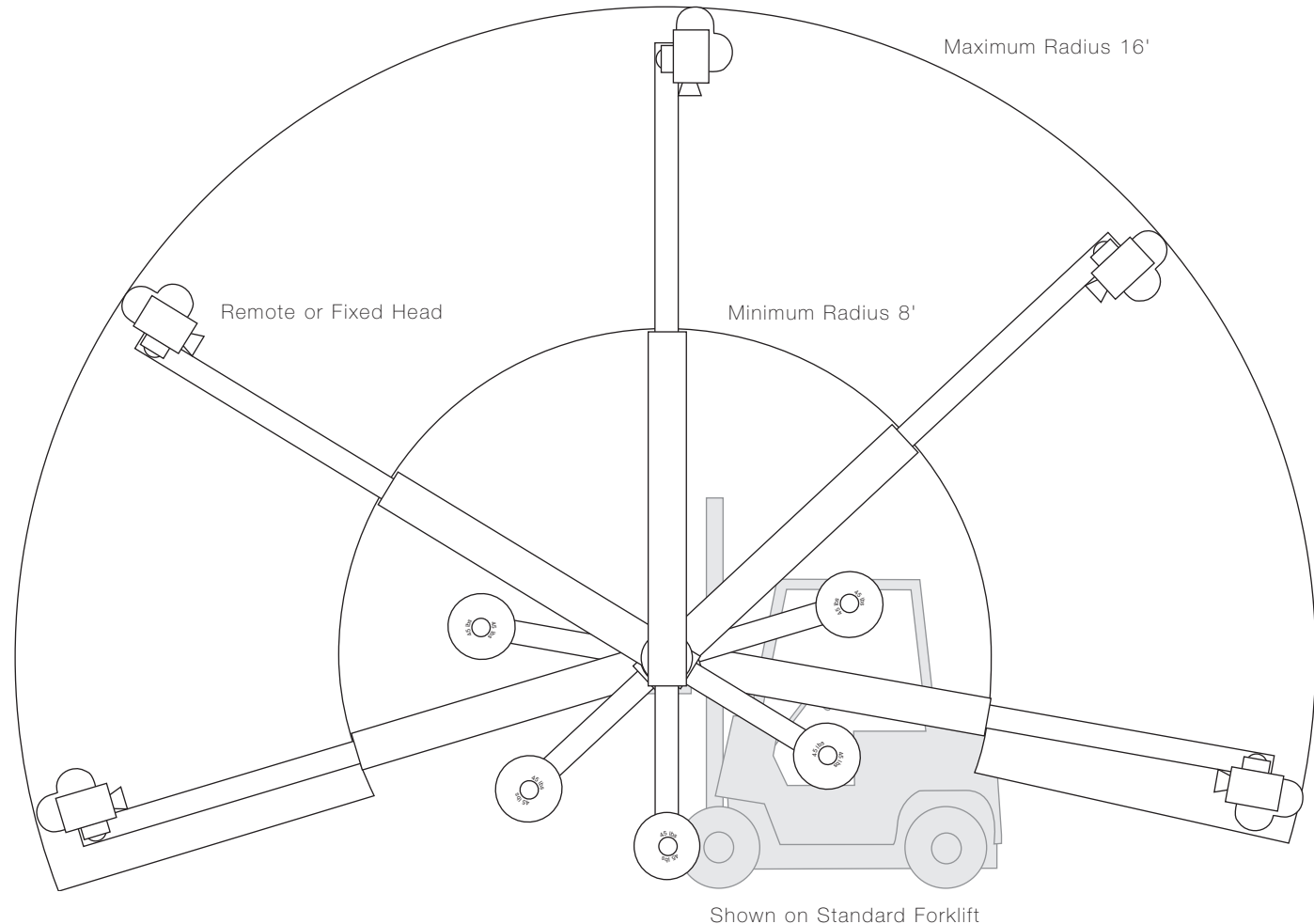
Standard Forklift no wider than 4'

## Transportation Weight

Approximately 1700 lbs.

## Transport Vehicle

Cargo Bay 4' 6" x 8' 6" or larger



\*Please contact Engine Room in regards to remote head capabilities